



Tiffany Gazebo®

Installation Instructions

Tiffany (Base) Gazebo Kit Includes:

- Qty.
- 8 Posts (L)
 - 8 2"x6" Rafters (G)
 - 16 1"x6" Dowel Pins (*not visible*)
 - 7 Lower Rail Panels (K) (*unassembled*)
 - 8 Upper Rail Panels (M)
 - 8 Fascia Boards (H)
 - 8 T&G (tongue & groove) Roof Sections (A)
 - 8 Rafter End Caps (N)
 - 1 Center Support (6" dia. tube) (D)
 - 1 Center Core (4" dia. tube, *not visible*)
 - 2 Center Support Caps (D)
 - 1 Center Top Rain Collar (E)
 - 1 Cable Kit (*not visible*)
 - 48 #10 Screws
 - 16 Snap Screw Covers
 - 1 Tube of Christies Red Hot Glue
 - 1 Universal post kit (*optional*)

Pagoda Roof Includes:

- Qty.
- 8 Roof Support Posts (F)
 - 8 2"x3.5" Rafters (B)
 - 8 Fascia Boards
 - 8 T&G Roof Sections
 - 8 Pagoda Rail Panels
 - 8 2"x3.5" Rafter End Caps

Cupola Roof Includes:

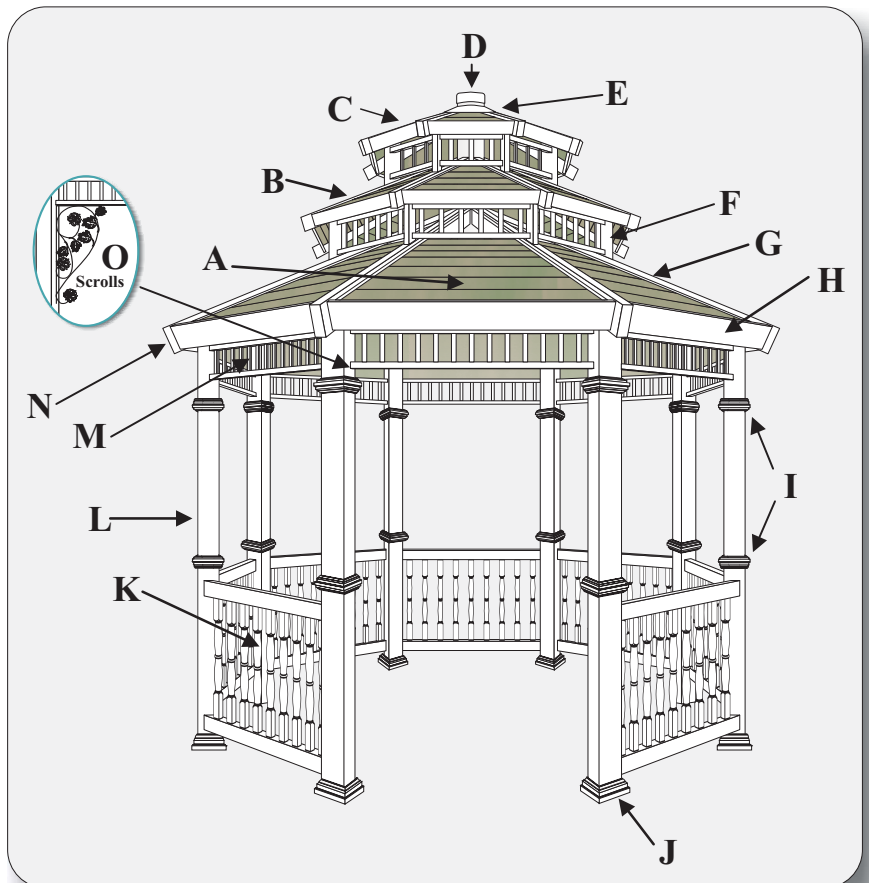
- Qty.
- 8 Roof Support Posts (F)
 - 8 2"x3.5" Rafters (C)
 - 8 Fascia Boards
 - 8 T&G Roof Sections
 - 8 Cupola Rail Panels
 - 8 2"x3.5" Rafter End Caps

Required Tools

- Tape Measure
- Chalk Line
- Carpenters Square
- Carpenters Level
- Plastic Mallet (2ea.)
- 8' A-Frame ladders
- Screw Driver (Screw Gun)
- Drill (1/2 " Masonry Bit)
- Socket Wrench 1/2 "

Tiffany Premiere

Main T&G Roof	A
Pagoda Roof	B
Cupola	C
Support & Cap	D
Center Collar	E
Roof Support	F
Rafters	G
Fascia	H
Post Trim	I
Base Trim	J
Lower Rail Unit	K
Post	L
Upper Rail Unit	M
Rafter End Cap	N



Optional Universal Post Kit: *Steel reinforcement posts inserts*
(recommended for all installs in areas with frost)

Note: When ordering rose scrolls your gazebo kit will be shipped without the **upper post trim** as it is not needed with the rose scroll option.

Accessories and options may change without notice:

©FVinc. 2001

IMPORTANT BEFORE STARTING

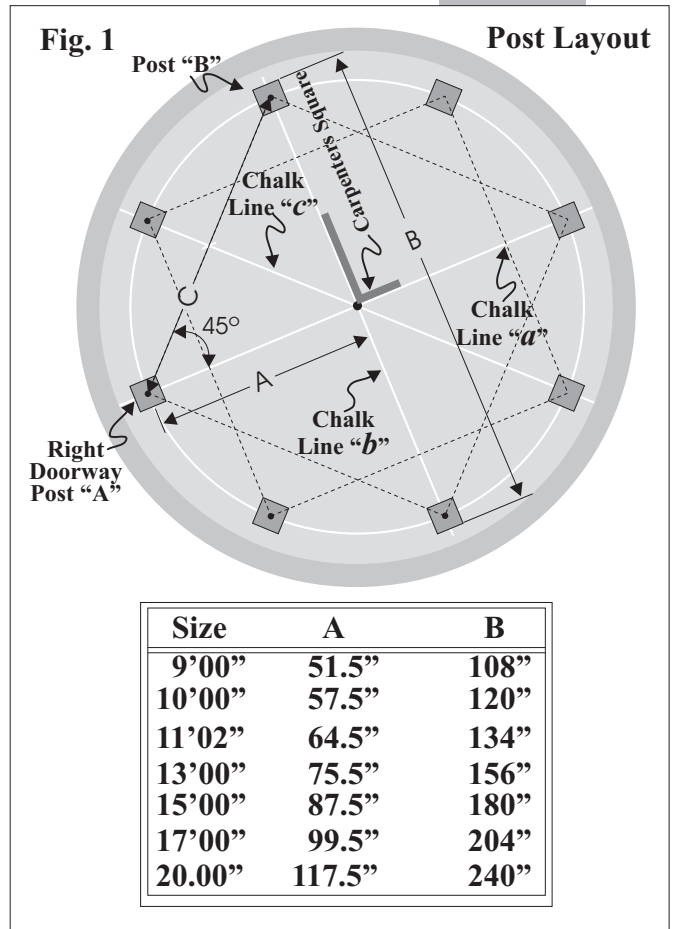
Installing your Tiffany gazebo requires two people.

Please inventory the parts for your new Tiffany Gazebo. These instructions cover the installation of the Tiffany (*base unit*), Tiffany Classic and the Tiffany Premiere. The list above will help you determine the parts that come with the style kit you ordered, these will vary depending on your particular kit. Familiarize yourself with the drawing shown above as it will be used as a reference throughout the instructions. ***If you run into any difficulties or are missing any parts, please contact your authorized Tiffany Gazebo dealer before starting the installation, if you proceed with the installation, Finyl Vinyl will not be responsible for the extra labor if any to fix problems that may occur.***

Post Installation:

This is the most important step of your gazebo installation. It is critical that your posts be accurately placed and level.

- A** Make sure that your slab or deck is level (if it is not, you will need to adjust the length of the posts *)
- B** Get the dimensions for your size gazebo from the chart (Fig. 1).
- C** Locate and mark the center point of your installation site (usually the center of your slab or deck)
- D** Draw a circle, dimension "A" using this center point. (Fig. 1). (Make compass of a lumber strip as lumber will not stretch like string.)
- E** Determine where your gazebo doorway will be. Start your layout at the right post of the doorway. (doorway post "A")
- F** Snap a line from the center of the doorway post location to far side of circle bisecting the center point of the slab (chalk line "a").
- G** Using a carpenter's square or the 3-4-5 method draw a line (chalk line "b") at a 90 degree angle to (chalk line "a").
- H** To locate the next set of posts, measure from center point (post "A") to center point (post "B") this gives you dimension "C".
- I** Make a mark at the 1/2 way point of dimension "C", draw a line bisecting this mark and the center point of the slab. This will give you chalk line "C".
- J** Repeat steps "H & I" to get final post locations.
- K** Check dimension "C" measurements for all posts as posts must be set at correct distance to proceed.



* Determining Slab Level

Measure the level of your slab with a carpenter's level or line level. If you find that your slab or deck is not level and can not be made level you will have to cut the gazebo posts at the bottom to compensate for the slope.

Important:

These instructions are a guide and may not cover every circumstance. The installer should determine and implement appropriate installation techniques for each situation. Vinyl Vinyl Inc. will not be responsible for any problems arising from installation.

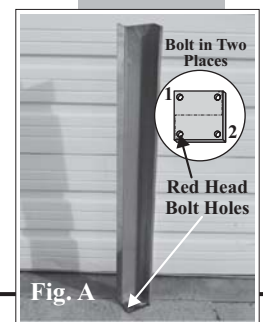
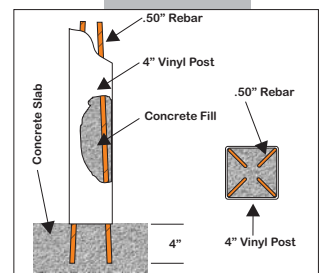
Post Installation

☐ Method "A"

Using post base as a template, mark hole locations on slab. Drill holes (4) ea. for 1/2" rebar approximately 3" to 4" deep. Holes are best if drilled at a slight angle. Insert 1/2" x 72" rebar into holes, straighten rebar, and sleeve post over rebar. (Post will be filled with high pressure cement later). Rebar installations are not recommended in areas with severe winters.

☐ Method "B" (Optional galvanized steel post towers, NOT included with gazebo kit)

Using post base as a template, mark hole locations on slab. Drill 1/2" hole for Red Head® Bolt (WS-1226 or equivalent recommended NOTE: Bolts are not included in gazebo kit as various codes may require other methods of attachment.) at diagonally opposed corners of post location. Level post insert with carpenter's or post level (shim as necessary) and bolt to slab. Repeat until all post inserts are in place.



- ❑ Sleeve vinyl posts over rebar or steel towers. (**IMPORTANT: If installing with steel post towers fasten vinyl post to steel tower with screws through the vinyl post into the steel tower 1" from ground Fig.a. the base trim will cover these screws. Install base and post trim now, once the gazebo is assembled you can not install these items.**)
- ❑ Make sure that the doorway posts are in the correct location as they only have rail holes on one side. (if you are running electrical choose the post that will carry your wiring and run Romex wire through the inside of the post to the top of the post. If using rebar post install do not fill post with concrete prior to running wire.)



Rafter Assembly

This is a two person operation.

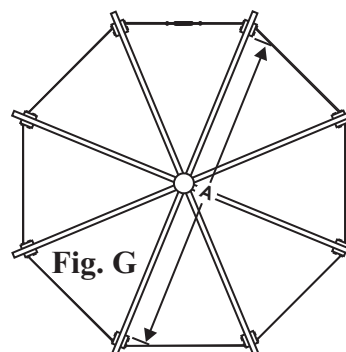
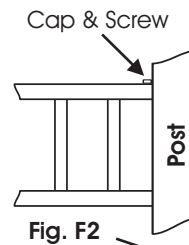
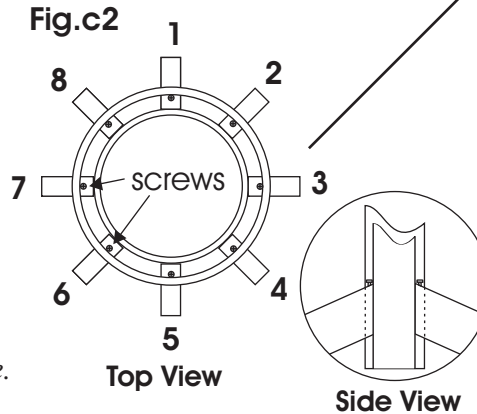
- ❑ Insert 2" x 6" rafters into posts and center support. Start with opposing rafters 1&5 continue with 3&7, 2&6 and 4&8 (as shown in Fig. C & D) Secure rafters with screws on the inside of the center support unit, this will prevent rafters from slipping out during the rest of the project. (Fig. c2)
- ❑ Insert 1" dowel pins (as shown in Fig. D). Pins must be installed with slot facing the outer perimeter of the gazebo).
- ❑ Insert small 4" diameter tube into center core and secure with screw (as shown in Fig. E)

Note: screw should not penetrate the outside tube. Screw heads should protrude about 1/4" to properly stop the rafter from pulling loose.

- ❑ Insert upper rail assemblies, all eight sides. (as shown in Fig. F) (once the upper rail assemblies are in place, secure with screws & caps provided). **Fig. F2**

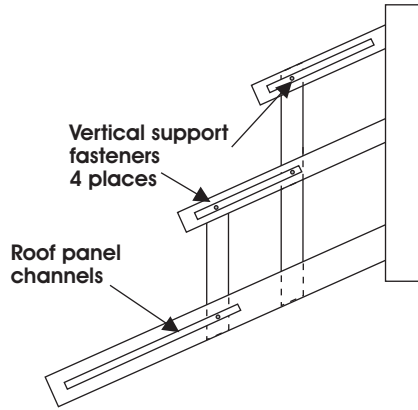
- ❑ Thread cable through outermost pin of each post. (Fig. G cable will be used to cinch unit during the balance of the installation the cable remains a permanent part of the gazebo).

Note: Turnbuckle should be in full open position to facilitate tightening when first installing cable system. Tighten the cable to obtain the same between post dimensions (Fig. G Dimension. A) at the top of the posts as at the bottom, then check circumference top and bottom with tape measure, make sure the top matches the bottom.)



Roof Assembly

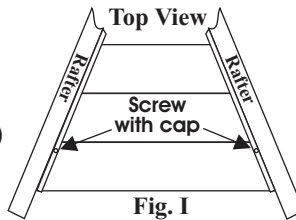
- Tiffany Classic & Tiffany Premiere only:** Assemble pagoda roof supports and rafters (*Classic & Premiere*), assemble Cupola (*Premiere only*). (as shown in Fig. H & I) Prior to inserting the roof panels, secure the secondary roof and cupola supports with screws. These screws penetrate through the roof panel channels into the secondary roof and cupola vertical supports. (see Fig. I)



- Insert roof panels. The roof panels for each section are interchangeable and may be used in any section. Main roof, pagoda and cupola roofs are assembled in the same manner. (Fig. I, be sure to start with upper roof i.e. cupola or pagoda. Install center top cap & rain collar before closing up last roof section as it will be very difficult to reach this area of the roof after the roof is completely assembled).



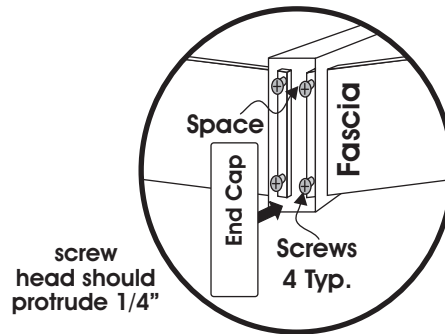
Hold roof panels in place with screw & cap through roof panel channels into roof panels (Fig. I)



- Install fascia board around all roof sections (Fig. J, fascia boards are a tight fit and may require some effort to install, the vinyl material is quite sturdy and will withstand a substantial amount of force).



- Secure fascia boards with screws, make sure that spacing between fascia boards is even at rafter ends. (as shown Fig. K, glue end caps in place at this time).

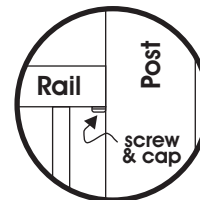


Lower Rail Assembly

- Insert lower rail sections, center the rail sections and secure with screws and screw caps. (as shown Fig. L)
- Move post trim into place and glue, caulk with white silicone caulking.



7592 Reynolds Circle,
Huntington Beach, CA 92647



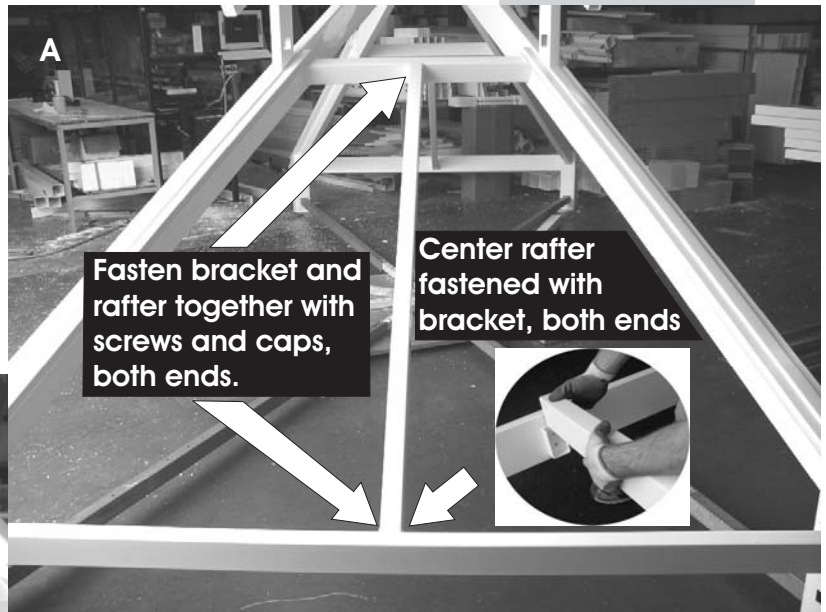
(877) 933-6846 Fax (714) 893-9361

www.finylvinylbp.com

Supplemental Instructions For 15', 17' & 20' Tiffany Gazebos

IN ADDITION TO THE STANDARD INSTRUCTIONS READ THESE BEFORE BEGINNING INSTALLATION!!

When assembling the roof rafters of your gazebo you must install the additional cross members and center rafters. (as shown)



Fasten center rafters to brackets with screws and caps both ends.

The pagoda roof for 15', 17' & 20' attaches to the main roof **with internal brackets** as shown

**Screws with caps
both sides**

