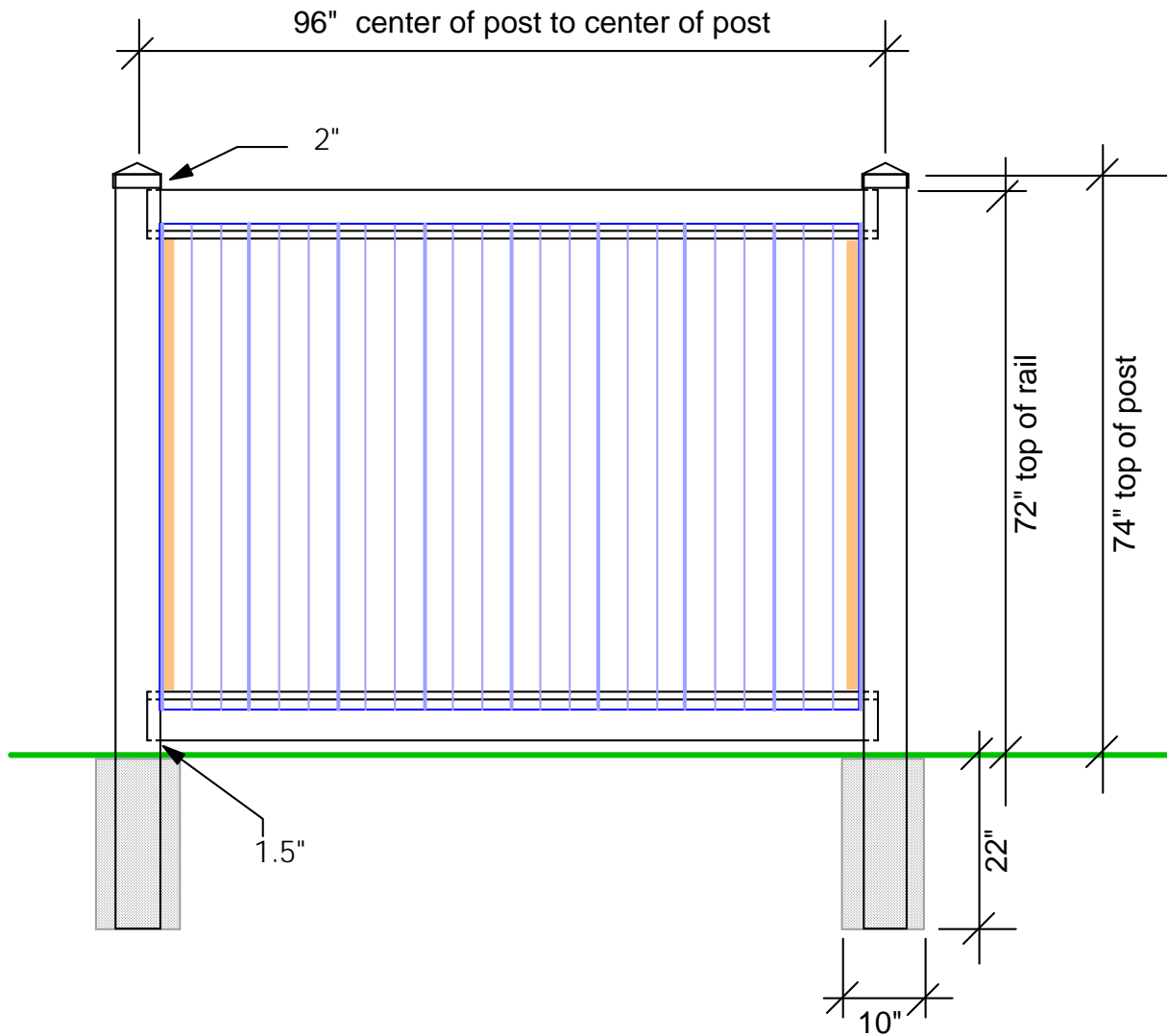


6' SOLID PRIVACY FENCE

P2-10



MATERIALS LIST

- 1 ea. POST 5" X 5" X 96" (2 shown)
- 2 ea. RAILS, TOP AND BOTTOM 2" X 6" X 96" SLOTTED RIBBED RAIL
- 8 ea. T & G PLANK 7/8" X 11 5/16" X 62.25"
- 1 ea. PYRAMID CAP (2 shown)
- 2 ea. SUPER U CHANNEL TRIM 7/8" X 3/4" X 58.5"

NOTE: ANY MODIFICATION TO THIS DRAWING WILL CHANGE THE DIMENSIONS SHOWN ON THIS SHEET

All the information on this sheet, drawings or copy, are the confidential, copyright Property of Finyl Vinyl Inc. Huntington Beach CA, Greensboro NC.

TBL

N.T.S.
11 / 07